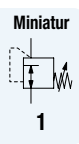
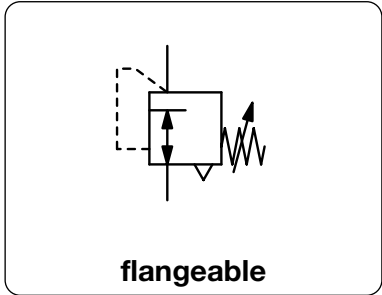


# MINIATURE PRECISION PRESSURE REGULATOR $\nabla$ 30 MM, WITH FLANGE

R308



<b>Description</b>	Precision pressure regulator, made of plastic, with diaphragm, with tamper-proof knob and without constant bleed. Excellent for portable systems thanks to small size and light weight of only 70 g.
<b>Media</b>	compressed air or non-corrosive gases
<b>Supply pressure</b>	max. 10 bar
<b>Adjustment</b>	by plastic knob with snap-lock
<b>Relieving function</b>	relieving, optionally non-relieving
<b>Gauge port</b>	not available
<b>Mounting position</b>	any
<b>Temperature range</b>	0° C to 60 °C / 32 °F to 140 °F
<b>Material</b>	Body: POM Elastomer: NBR/Buna-N Inner valve: brass



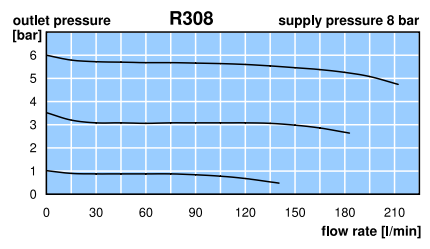
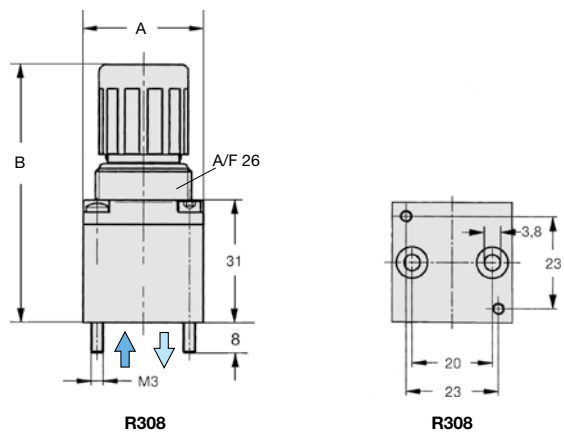
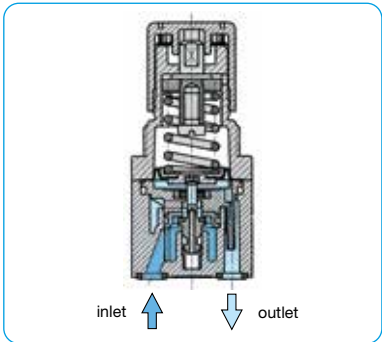
Dimensions		Flow rate	Supply pressure	Connection	Pressure range	Order number
A	B	l/min*1	max. bar	flange	bar	
mm	mm					

Precision regulator with flange				supply pressure max. 10 bar, relieving, without constant bleed	R308
30	64	200	10	flange	R308-P00
					R308-P0B
					R308-P0C
					R308-P0D



## Special options, add the appropriate letter

<b>non-relieving</b>	without relieving function	R308-P0. K
<b>or oxygen</b>	specially cleaned, with oxygen grease	R308-P0. K15



\*1 for compressed air: 8 bar supply pressure, 6 bar outlet pressure and 1 bar pressure drop

\* Product group